

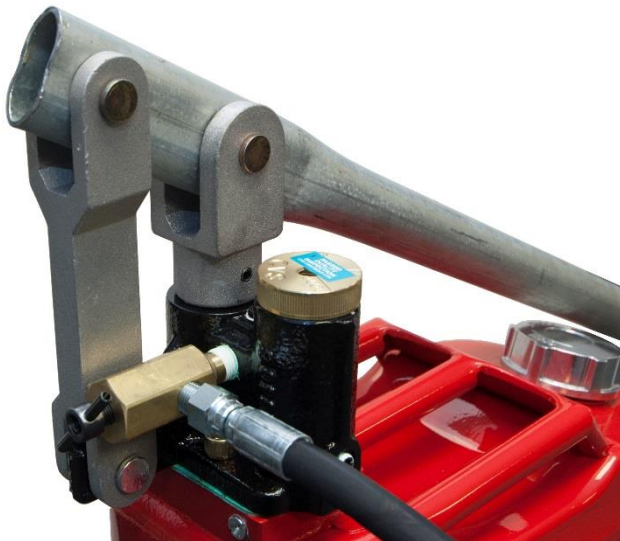
CVS

CONTROLS

CVS Controls High Pressure Portable Injection Hand Pump

The CVS Controls High Pressure Chemical Injection Hand Pump is a durable, rugged design that allows quick and effective de-icing to valves or lines with just a few strokes.

The High Pressure Chemical Injection Hand Pump features adjustable pressure settings of 1000, 2000, and 3000 psi.



The Hand Pump is mounted on either a 10 litre (2.5 gallon), or a 20 litre (5 gallon) tank. The height of the 10 litre tank makes it ideal for storing and transporting where space is an issue.

The steel braided rubber core discharge line is fitted with 1/4 NPT swivel end, allowing for easy connections. Also included is a pressure bleed valve to assist in priming the pump or relieving discharge line pressure.

Working pressure up to a maximum of 3000 psi.

Discharge stroke volume is .730 cu. In, or 11.96 ml.

Head Office
3900 101 Street
Edmonton, Alberta
T6E 0A5
Canada
Office: (780) 437-3055
Fax: (780) 436-5461

CVS

CONTROLS

Website: www.cvs-controls.com

Email: info@cvs-controls.com

Calgary Sales Office
3516 114 Avenue SE
Calgary, Alberta
T2Z 3V6
Canada
Office: (403) 250-1416
Fax: (403) 291-9487

CVS Controls – High Pressure Portable Injection Hand Pump – Operation and Maintenance

The following components are shipped loose and must be installed prior to operation of hand pump.

1. "Link Kit", consists of 2 Clevis Pins (4), 1 Clevis Pin (33), 3 Flat Washers (3), and 1 Handle Link (30), 2 Cotter Pin (5), and 1 R Clip (41)
2. Handle (1)
3. Discharge Hose Assembly (40)

Link Kit and Handle Assembly Installation

1. Install Handle Link (30) by inserting Clevis Pin (33) through Handle Link and Pump Body (28). Install 1 Flat Washer (3) and 1 Cotter Pin (5). Bend back tabs of cotter pin to secure.
2. Install Handle (1), by inserting 2 Clevis Pins (4) through upper Handle Link (30), and Plunger (14). Install 1 Flat Washer (3) on each Clevis Pin and secure upper handle link with Cotter Pin (5) by bending back tabs of cotter pin. Install R Clip (41) on clevis pin securing handle to the plunger to allow for easy removal for priming.
3. Apply thread tape or equivalent to fixed end of Discharge Hose Assembly (40). Thread into Bleed Valve Body (31), and secure.

Operation

1. Remove Tank Cap (37), and fill Tank assembly with alcohol or desired liquid best suited for your application. Replace Tank Cap. Cycle pump two to three full strokes with bleed valve open to Prime. Close bleed valve for normal operation. Should pump not be primed for regular use follow instructions below.

To Prime Pump

- A. Remove Plunger (14), by first removing 1 R-Clip (41) which attaches Handle to Plunger.
- B. Fill with alcohol or equivalent
- C. Replace Plunger
- D. Release excess pressure using the Bleed Valve Screw (32)
- E. Re-attach handle to plunger.

Unit is now primed and ready for use.

***Note: The CVS Controls High Pressure Hand Pump has a working pressure up to a maximum of 3000 psi. Prior to connecting Discharge Hose Assembly ensure working line pressure has been relieved.** CVS Controls has available the CVS-A-0675 Inline Check Valve for installation on the discharge hose assembly to prevent potential back pressure to the tank assembly.

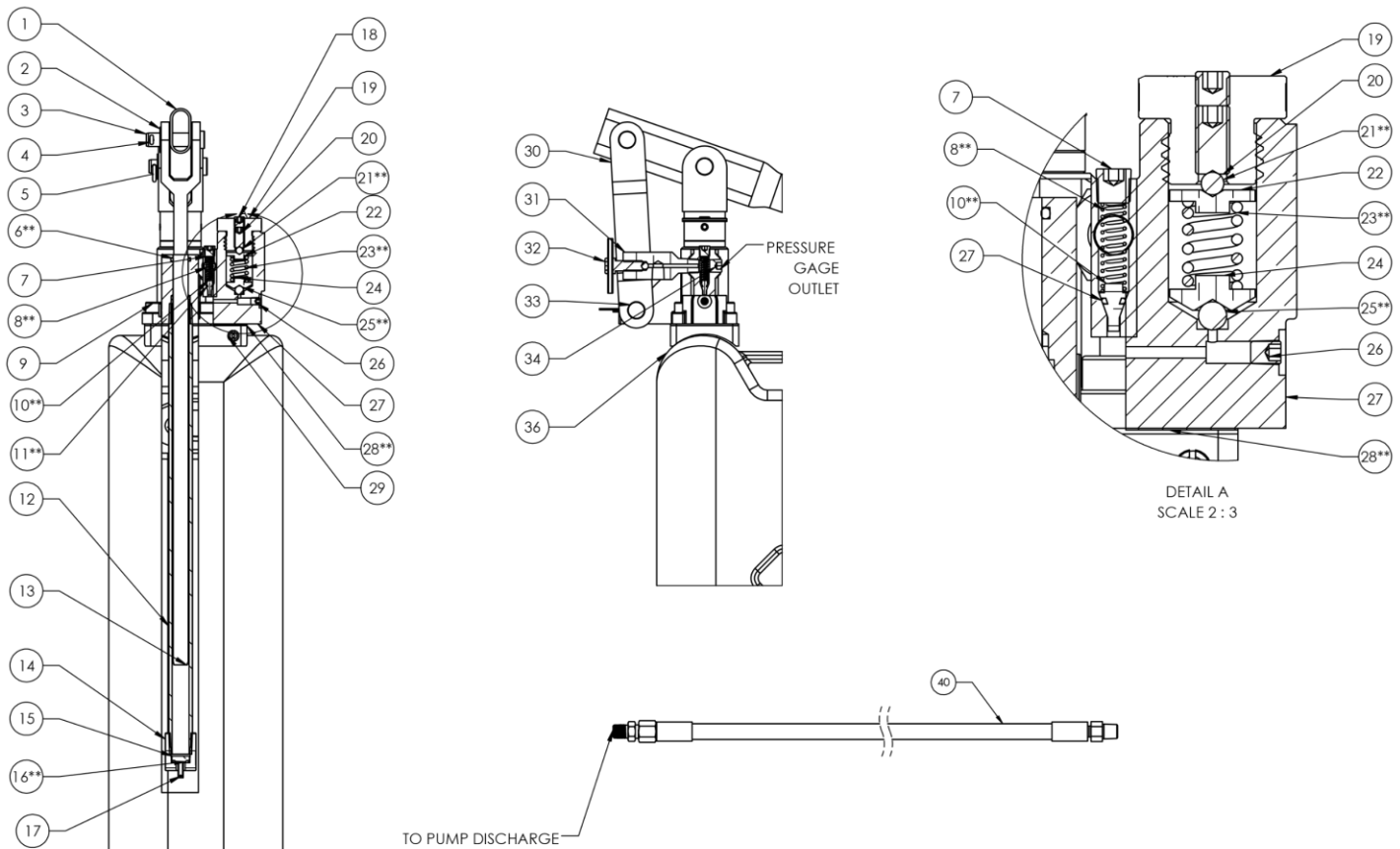
2. Connect discharge line.
3. Pump handle to inject alcohol.

Maintenance and Trouble Shooting

- If unit is not pumping, remove plunger and check Foot Valve o-ring (17), replace as necessary
- Unit does not hold pressure, Discharge Poppet (11) and Discharge Poppet o-ring (12) may be damaged or need replacing.

After hand pump use, fill the tank and pump with corrosion inhibitor; pump the inhibitor through the pump head to help prevent premature internal rusting of the tank and head assembly during storage.

CVS Controls Ltd. High Pressure Chemical Injection Hand Pump – Assembly



Parts List

Item	Part No.	Description
	CVS-HP-1000	Complete Unit – 20L
	CVS-HP-1000-10L	Complete Unit – 10L
1	CVS-HP 1001	Handle
2	CVS-HP 1003	Washer
3	CVS-HP 1004	Clevis Pin
4	CVS-LP1005	Cotter Pin
5	CVS-1005HP	R Clip
6**	CVS-HP 1007	O-Ring Plunger
7	CVS-HP 1008	Pipe Plug
8**	CVS-HP 1009	Poppet Spring
9	CVS-HP 1010	Socket Head Screw
10**	CVS-HP 1011	Discharge Poppet
11**	CVS-HP 1012	O-Ring Poppet
12	CVS-HP 1013	Pump Barrel
13	CVS-HP 1042	Plunger Assy – 20L
	CVS-HP 1042S	Plunger Assy – 10L
14	CVS-HP 1015	Foot Valve Cage
15	CVS-HP 1016	Foot Valve Poppet
16**	CVS-HP 1017	O-Ring Foot Valve
17	CVS-HP 1018	Cotter Pin
18	CVS-HP 1019	Set Screw
19	CVS-HP 1020	Pressure Setting Screw
20	CVS-HP 1021	Set Screw

Item	Part No.	Description
21**	CVS-HP 1022	Stainless Steel Ball
22	CVS-HP 1023	Spring Set Plate
23**	CVS-HP 1024	Spring
24	CVS-HP 1025	Spring Base Plate
25**	CVS-HP 1026	Stainless Steel Ball
26	CVS-HP 1027	Pipe Plug
27	CVS-HP 1028	Body, High Pressure
28**	CVS-HP 1029	Gasket
29	CVS-HP 1035	Vent Check Valve
30	CVS-HP 1030	Handle Link
31	CVS-HP 1031	Bleed Valve Body
32	CVS-HP 1032	Bleed Valve Screw Assy
33	CVS-HP 1033	Clevis Pin
34	CVS-HP 1034	Pipe Plug
36	CVS-HP 1036	20L Tank Assembly
	CVS-HP 1036S	10L Tank Assembly
38	CVS-HP 1038	Repair Kit-(Incl. all ** Items)
40	CVS-HP 1040	Hose Assembly

*Item 14, Plunger and Item 2, Plunger Clevis are sold as an assembly only – Part number CVS-1042

** Repair Kit Items included in Part Number CVS-1038

CVS Controls Ltd. has available a maintenance kit for the High Pressure Hand Pump (CVS-1038). Should maintenance be required, it should only be performed by competent personnel, or a Qualified CVS Controls Technician. Contact a CVS Controls representative for more information.

CVS

CONTROLS

Head Office

3900 – 101 Street
Edmonton, Alberta, Canada
T6E 0A5
Office: (780) 437-3055
Fax: (780) 436-5461

Calgary Sales Office

3516 114 Avenue SE
Calgary, Alberta, Canada
T2Z 3V6
Office: (403) 250-1416
Fax: (403) 291-9487

Website: www.cvs-controls.com

E-Mail: info@cvs-controls.com

CVS Controls Ltd. strives for the highest levels of quality and accuracy. The information included in this publication is presented for informational purposes only. CVS Controls Ltd. reserves the right to modify or change, and improve design, process, and specifications without written notice. Under no circumstance is the information contained to be interpreted to be a guarantee/warranty with regard to our products or services, applicability or use.

Selection, use and maintenance are the sole responsibility of the end user and purchaser. CVS Controls assumes no liability for the selection use and maintenance of any product.