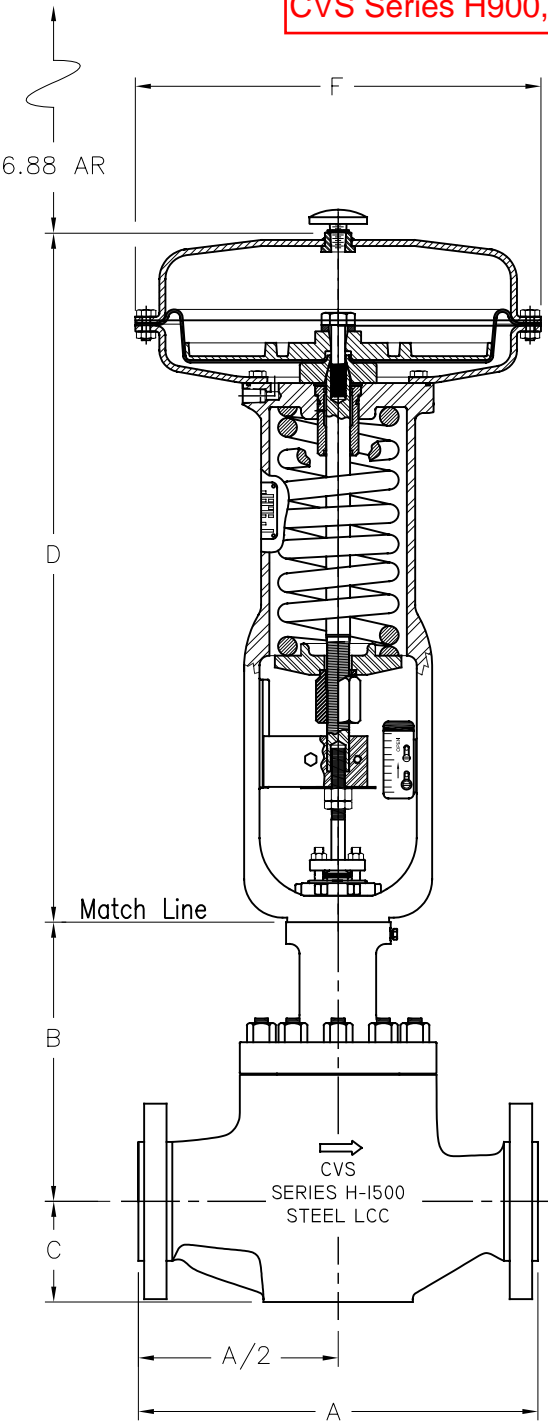


CVS Series H900, H1500, and H2500 Dimensional Data



| H-9/1500# and H-2500# VALVE BODIES | | | | | | | |
|------------------------------------|----------------------------|----------|-----|-----------|-----|-----------|-----|
| SIZE | FACE TO FACE DIMENSION "A" | 900 ANSI | | 1500 ANSI | | 2500 ANSI | |
| | | in. | mm | in. | mm | in. | mm |
| 3 | RAISED FACE (RF) | 17.38 | 442 | 18.12 | 460 | 19.62 | 498 |
| | RING TYPE JOINT (RTJ) | 17.50 | 445 | 18.25 | 464 | 19.88 | 505 |
| 4 | RAISED FACE (RF) | 20.12 | 511 | 20.88 | 530 | 22.62 | 575 |
| | RING TYPE JOINT (RTJ) | 20.25 | 515 | 21.00 | 534 | 23.00 | 584 |

| 1500 ANSI DIMENSION "B" | 2 13/16 YOKE BOSS | | 3 9/16 YOKE BOSS | |
|-------------------------|-------------------|-------|------------------|-------|
| | in. | mm | in. | mm |
| | 3 Inch | 12.94 | 329 | 12.56 |
| 4 Inch | ---- | ---- | 12.88 | 327 |

| 2500 ANSI DIMENSION "B" | 2 13/16 YOKE BOSS | | 3 9/16 YOKE BOSS | |
|-------------------------|-------------------|-------|------------------|-------|
| | in. | mm | in. | mm |
| | 3 Inch | 12.25 | 311 | 11.88 |
| 4 Inch | ---- | ---- | 12.56 | 319 |

| 1500 ANSI DIMENSION "C" | in. | mm | |
|-------------------------|--------|------|-----|
| | 3 Inch | 4.38 | 111 |
| | 4 Inch | 5.38 | 137 |

| 2500 ANSI DIMENSION "C" | in. | mm | |
|-------------------------|--------|------|-----|
| | 3 Inch | 4.50 | 114 |
| | 4 Inch | 5.38 | 137 |

| ACTUATOR DIMENSION "D" | 657 | | | | 667 | | | |
|------------------------|-------|-----|-------|-----|-------|-----|-------|-----|
| | E | | F | | E | | F | |
| | in. | mm | in. | mm | in. | mm | in. | mm |
| SIZE 70 | 33.06 | 840 | 21.13 | 537 | 36.75 | 935 | 21.13 | 537 |
| SIZE 60 | 28.43 | 723 | 18.63 | 473 | 30.88 | 785 | 18.63 | 474 |